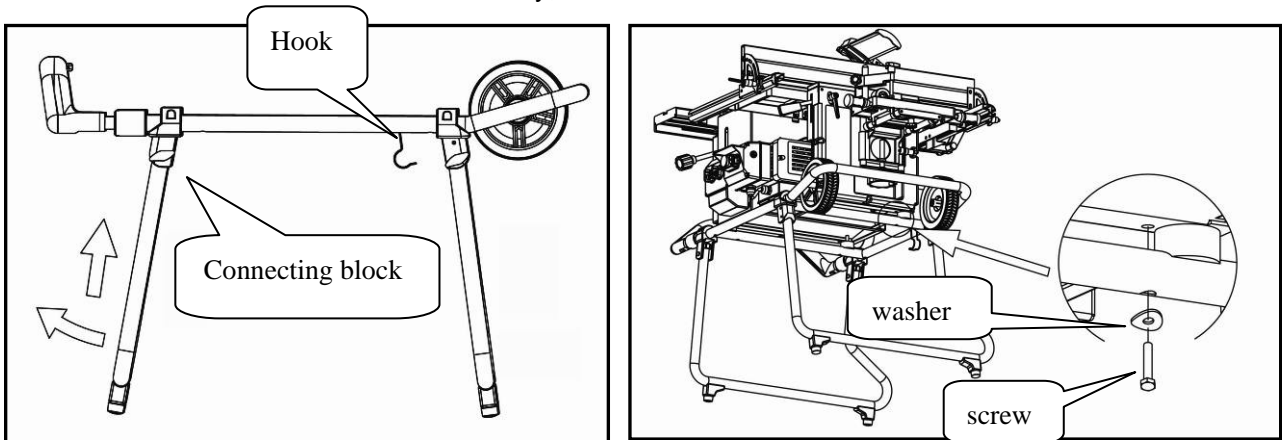


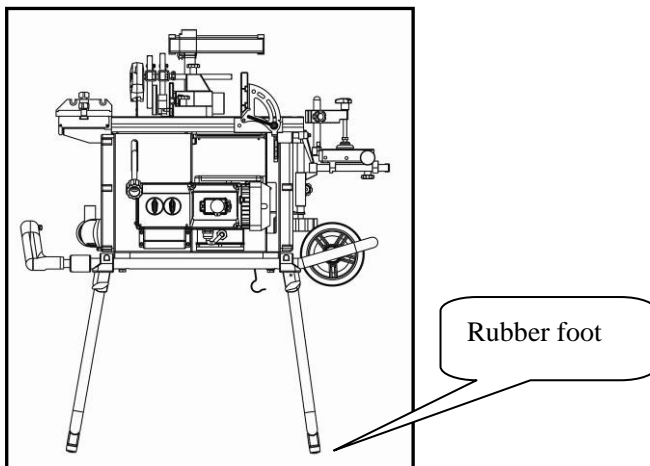
## Foldaway stand

Take the stand assembly out of the box. Loosen the hook and open the legs, fix the left leg into the connecting block. Then tighten the four thumb knob.

Place the machine onto the stand assembly; connect them with four screws and washers.

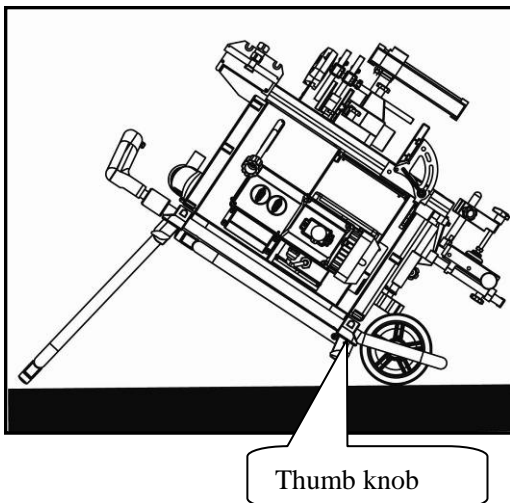


The stand have four circular rubber feet, the machine can be placed steadily by adjusting the four feet.

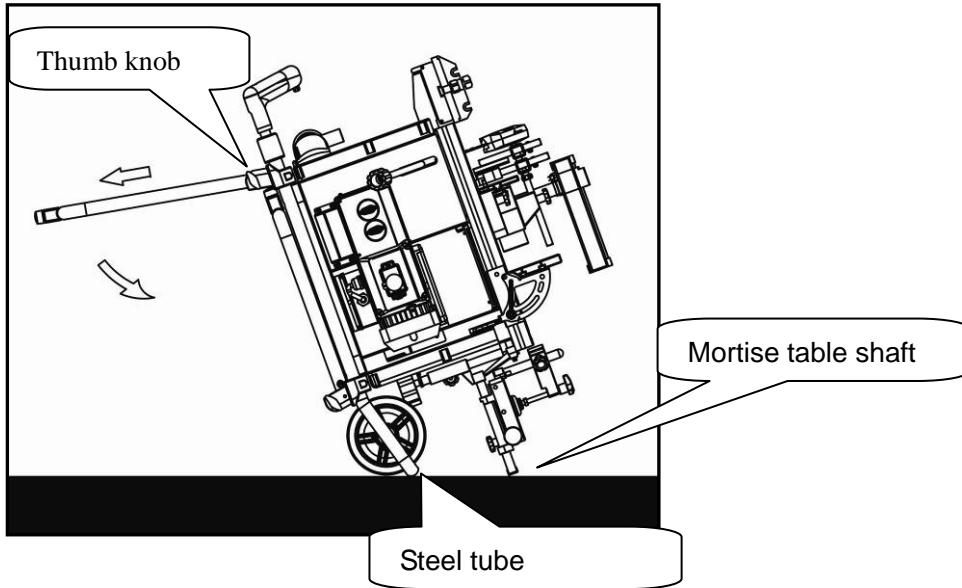


When moving the machine is needed, follow the later steps.

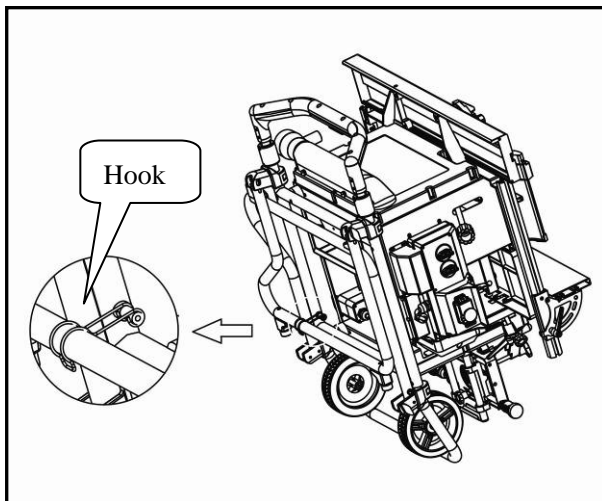
Loosen enough the thumb knob and turn left the right leg, then carefully put the wheel upon the floor just like the following fig.



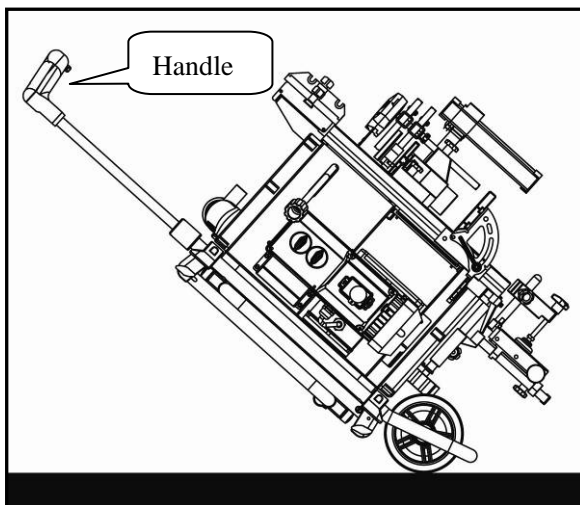
Place the machine on the floor supporting by steel tube and mortise table shaft.  
Loosen enough the Thumb screws and pull out the left leg, then turn right the left leg.



Fix the left and right leg to the machine by the hook.



Now you can pull out the handle and move the machine.



When using the machine is needed, follow opposite steps.